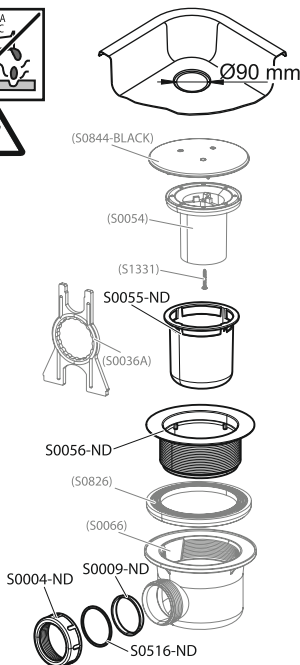
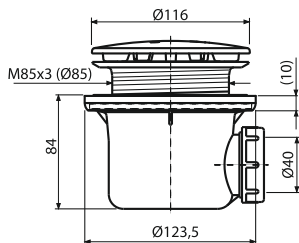
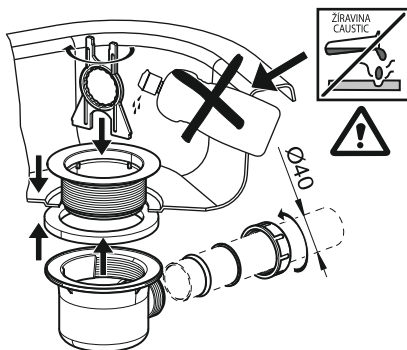


Sifon RAVAK Professional 90 black

CZ Sifon RAVAK Professional 90 černý
D Siphon RAVAK Professional 90 Schwarz
ES Sifón RAVAK Professional 90 negro
FR Siphon RAVAK Professional 90 noir
GB Siphon RAVAK Professional 90 black
HU Szifon RAVAK Professional 90 fekete

PL Syfon RAVAK Professional 90 czarny
RO Sifon RAVAK Professional 90 negru
RU Сифон RAVAK Professional 90 черный
SK Sifón RAVAK Professional 90 čierny
UA Сифон RAVAK Professional 90 чорний



RO/03/21/NA0180

RAVAK®

RAVAK a.s., Obecnická 285, 261 01 Příbram I
tel: +420 318 427 200, 318 427 111 fax: +420 318 427 269
e-mail: info@ravak.cz, www.ravak.com