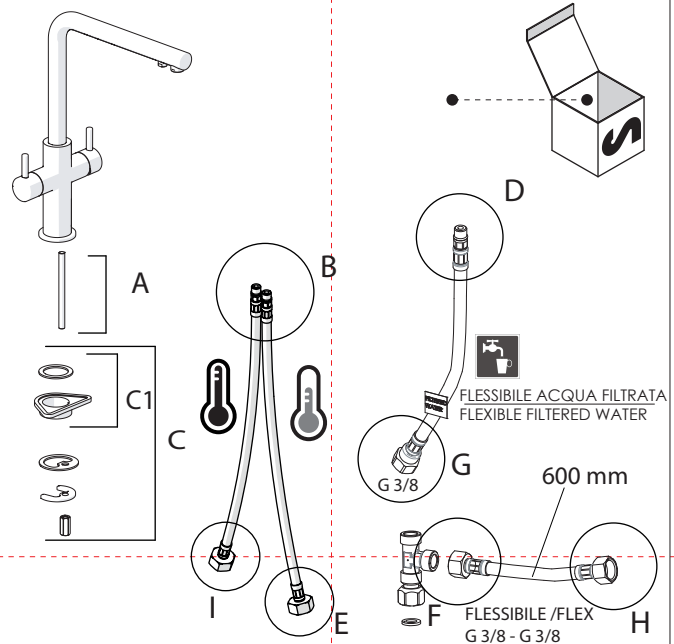
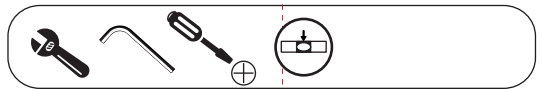
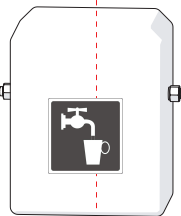


Not included / Non incluso / Non Inklus / Nie zawarty / No incluido / Nao incluido

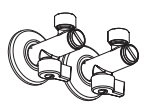
1



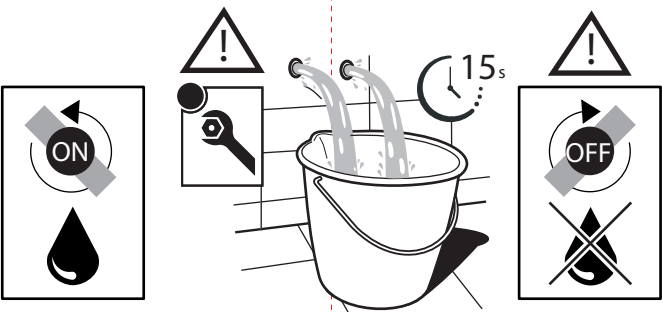
**NON INCLUSI
NOT INCLUDED**



FILTRO ACQUA
FILTER WATER

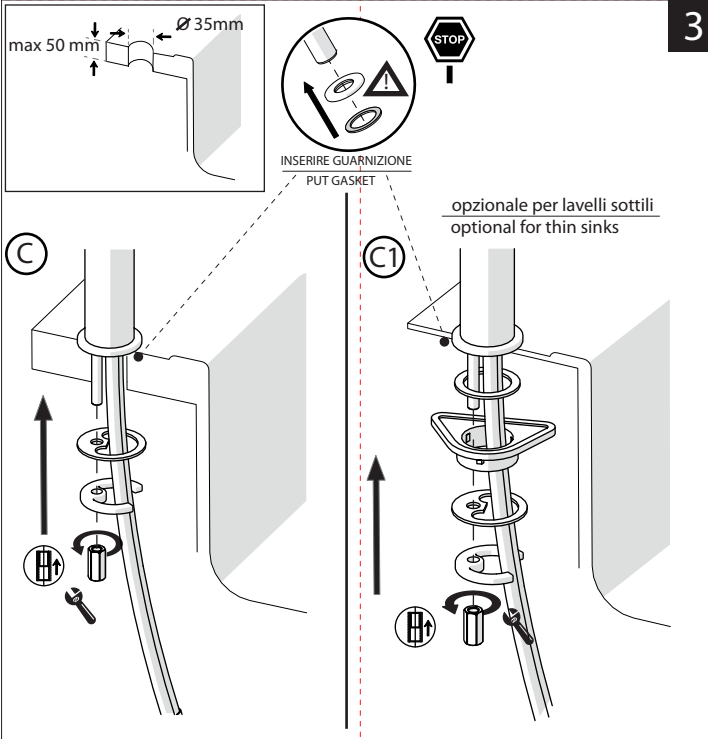
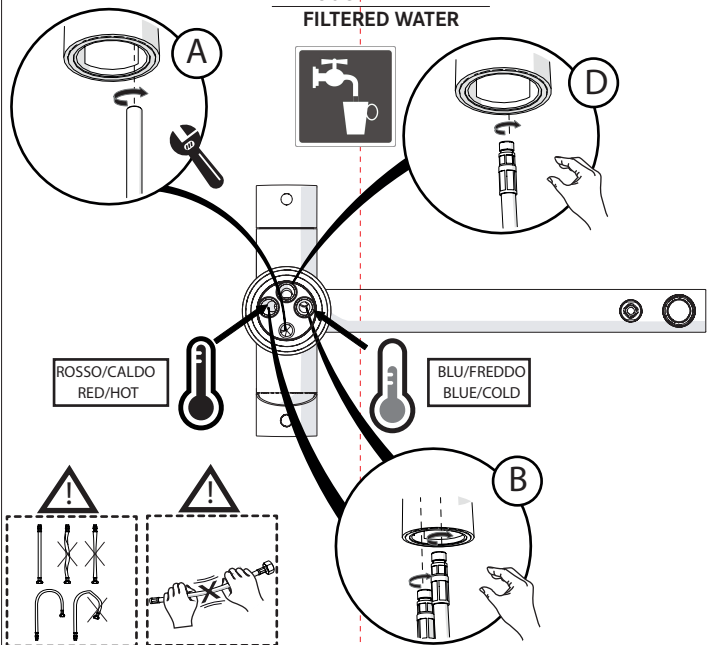


RUBINETTI FILTRI
VALVES WITH FILTER



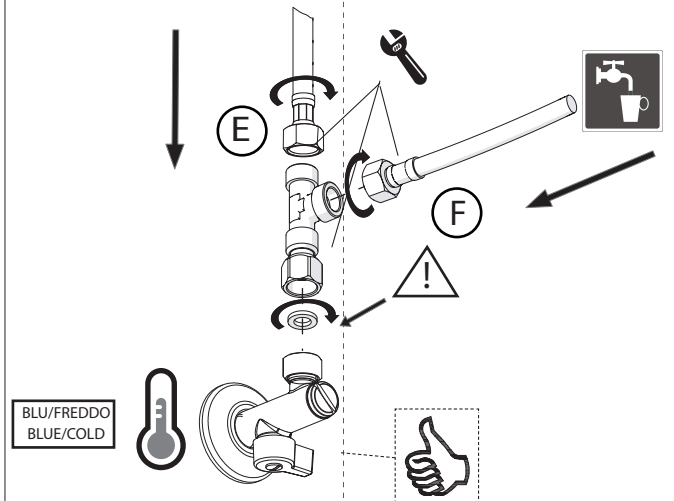
ACQUA FILTRATA
FILTERED WATER

2

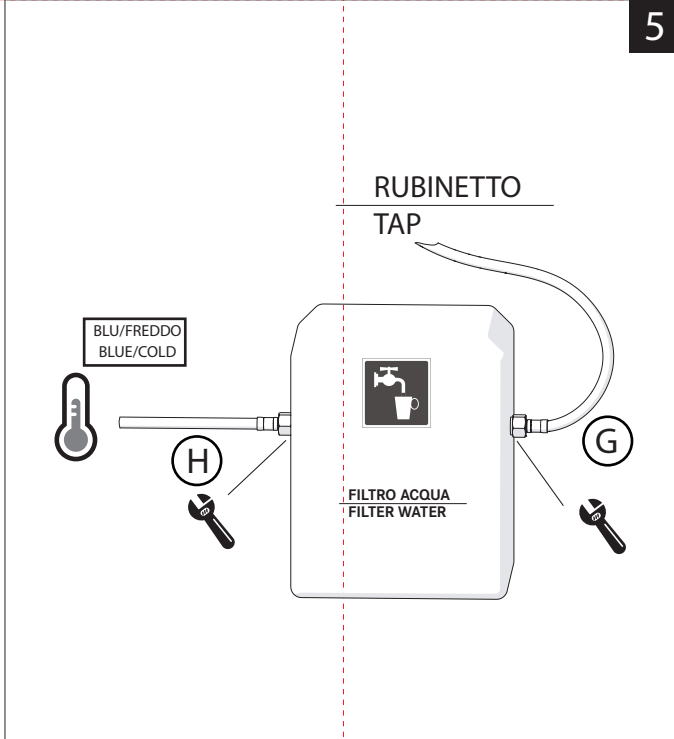


RUBINETTO
TAP

4

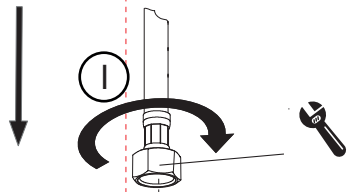


5

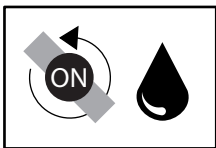
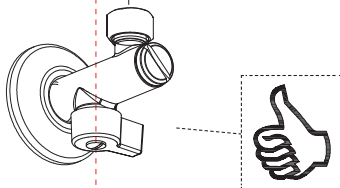


6

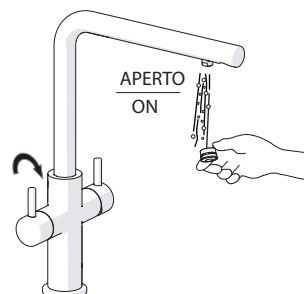
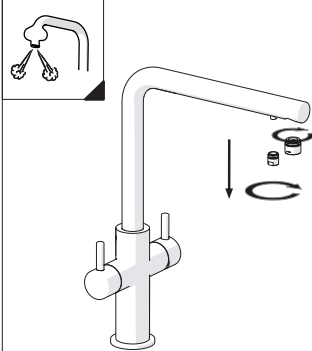
RUBINETTO
TAP



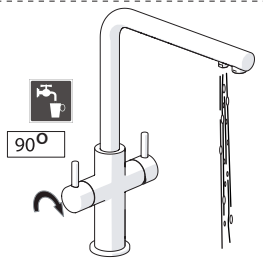
ROSSO/CALDO
RED/HOT



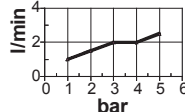
8



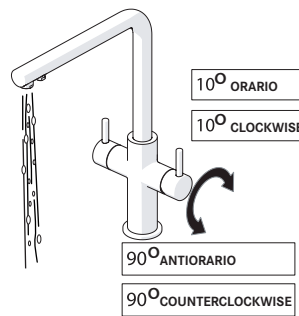
APERTO
ON



90°



Portata / Flow



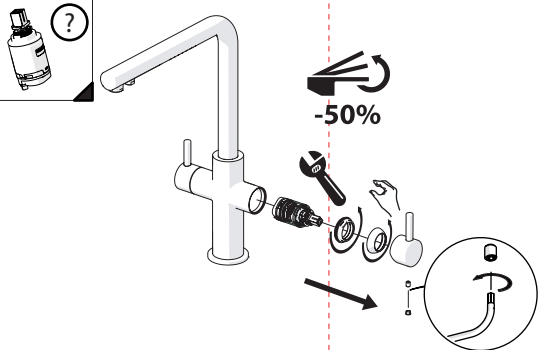
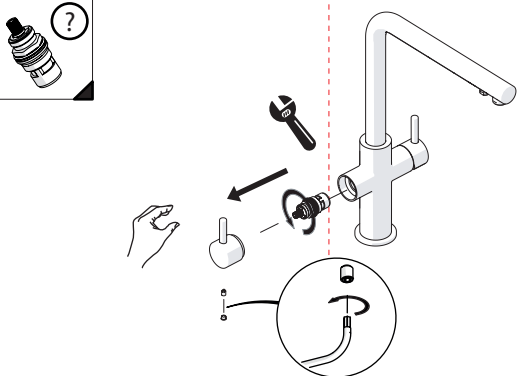
10° ORARIO

10° CLOCKWISE

90° ANTIORARIO

90° COUNTERCLOCKWISE

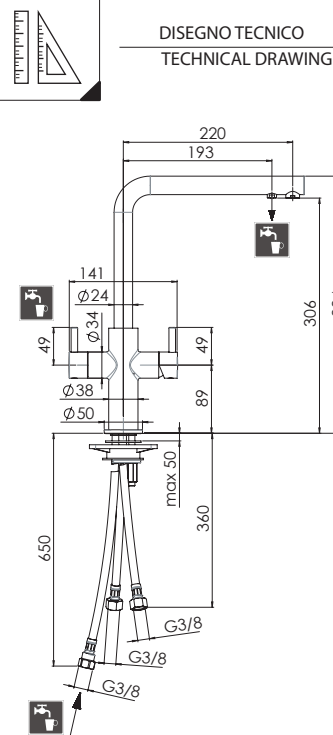
7



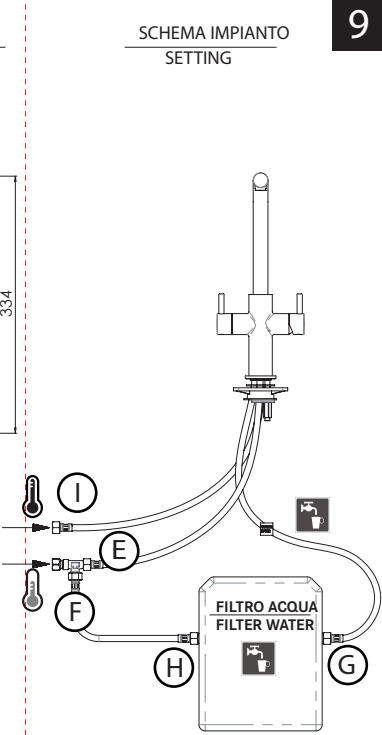
-50%

9

DISEGNO TECNICO
TECHNICAL DRAWING

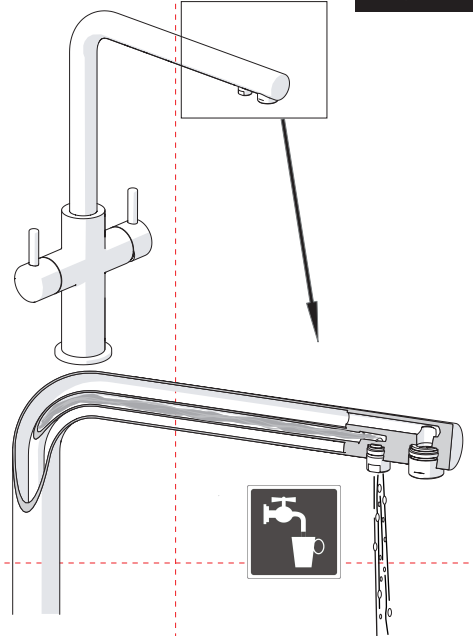


SCHEMA IMPIANTO
SETTING



Acquerelli

AQ93823/3V



www.grupponobili.it

PRIMA DI INIZIARE / BEFORE STARTING

| | | | | | | | |
|---|-------|--------|---------|---|------|--------|---------|
| P | P bar | MAX 10 | 0,5 MIN | T | T °C | MAX 80 | 65 - 45 |
|---|-------|--------|---------|---|------|--------|---------|

PULIZIA / CLEANING

| | | | | |
|-------------|--------|-----------------------|---------------|----------------------|
| ACQUA WATER | ALCOOL | MICROFIBRA MICROFIBER | SPUGNA SPONGE | DETERGENTI DETERGENT |
| ✓ | ✓ | ✓ | ✗ | ✗ |

