

NG-42 SERIES


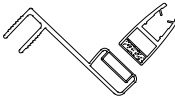
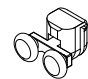


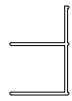


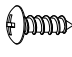


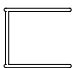
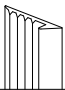

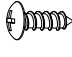
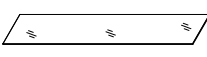
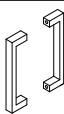
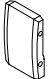

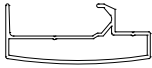

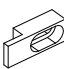
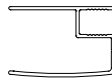
NG-62 SERIES

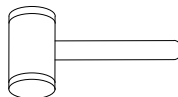
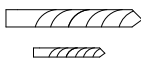
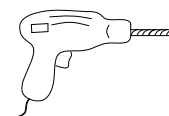
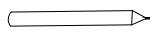
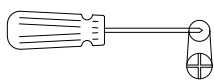
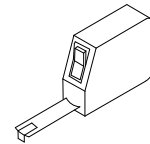
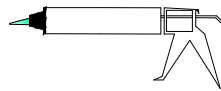
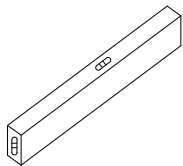
NG-82 SERIES

NG-42 SERIES+NG-A SERIES

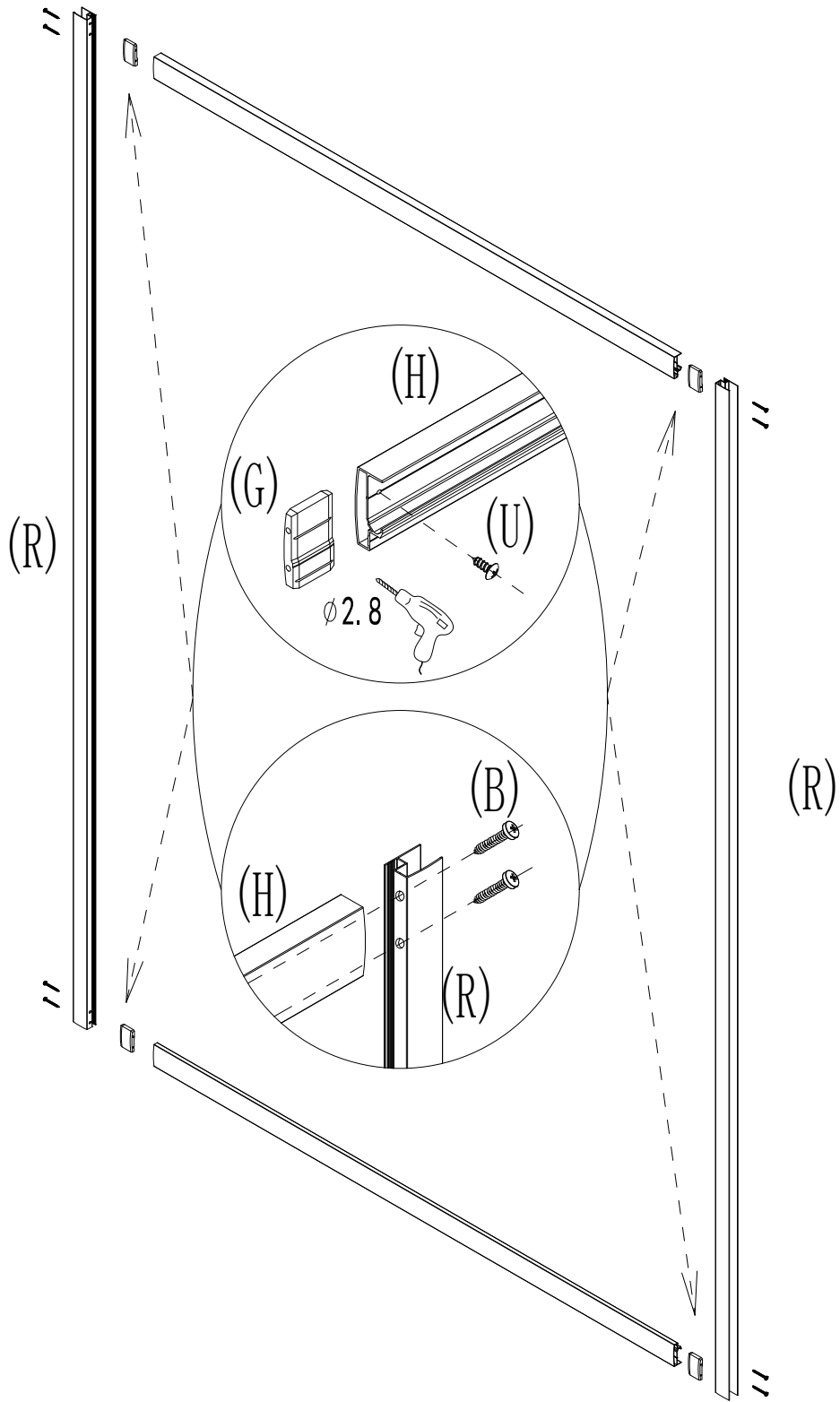
NG-62 SERIES+NG-A SERIES

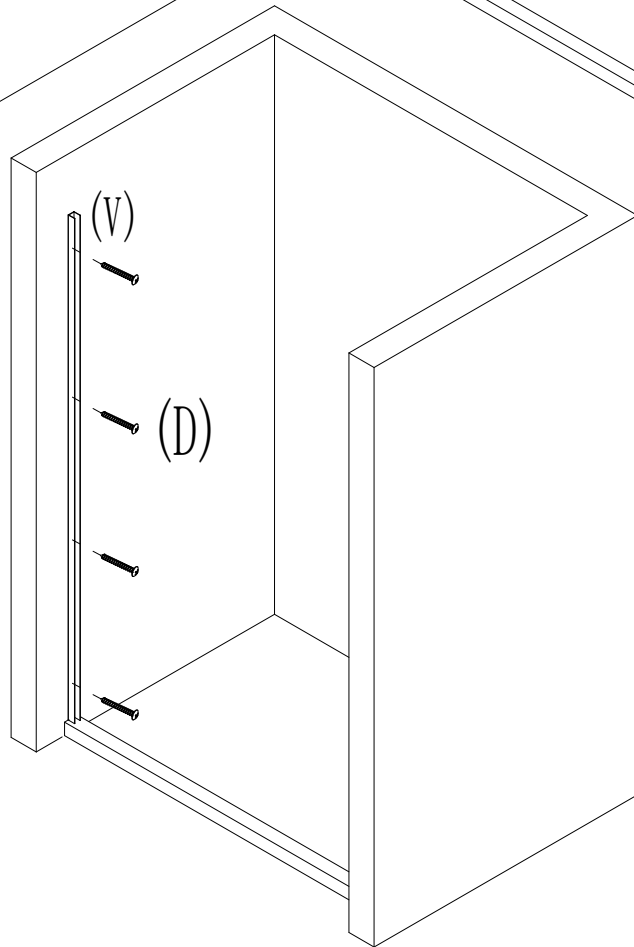
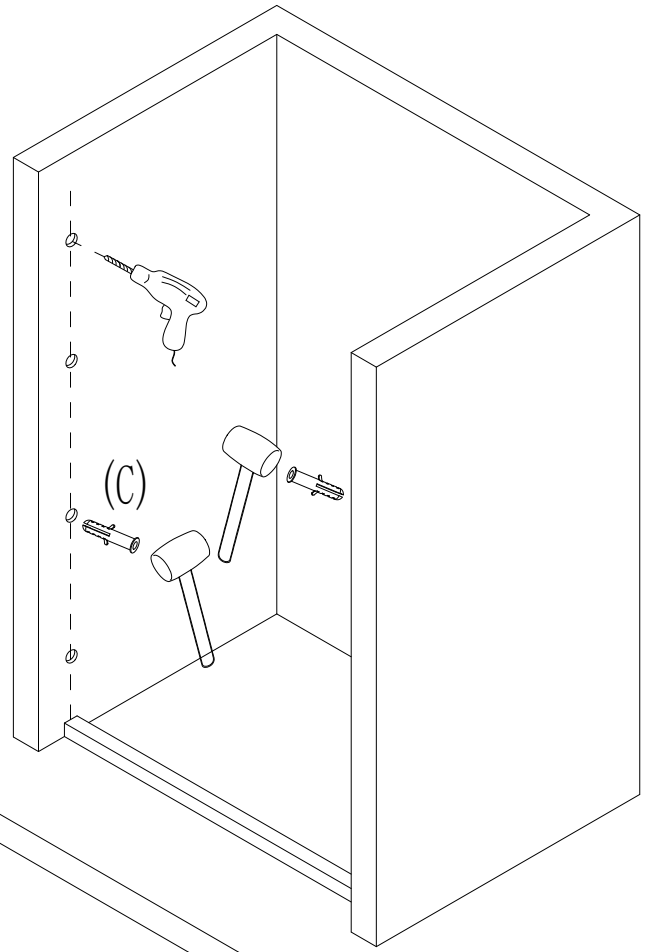
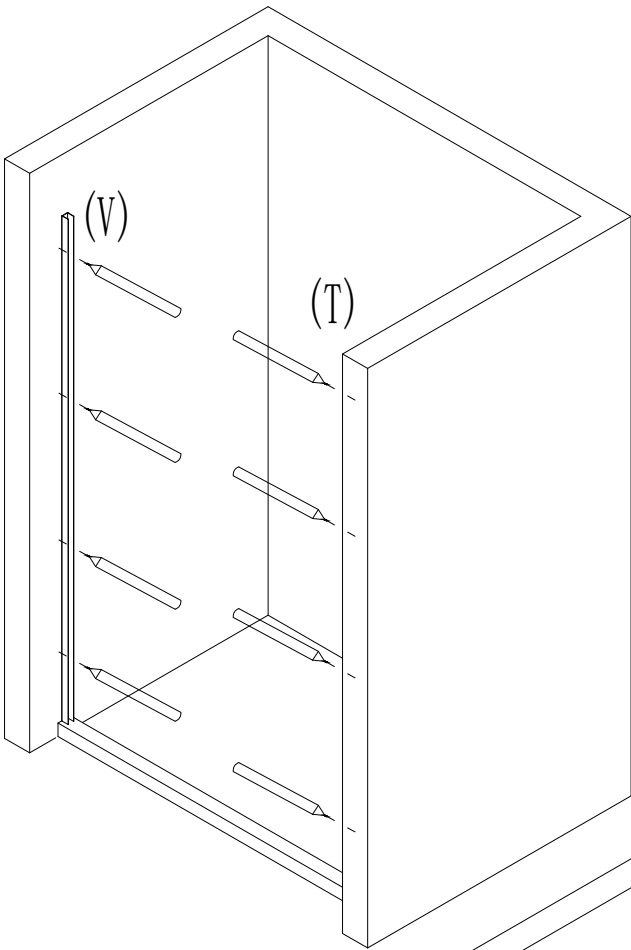
NG-82 SERIES+NG-A SERIES

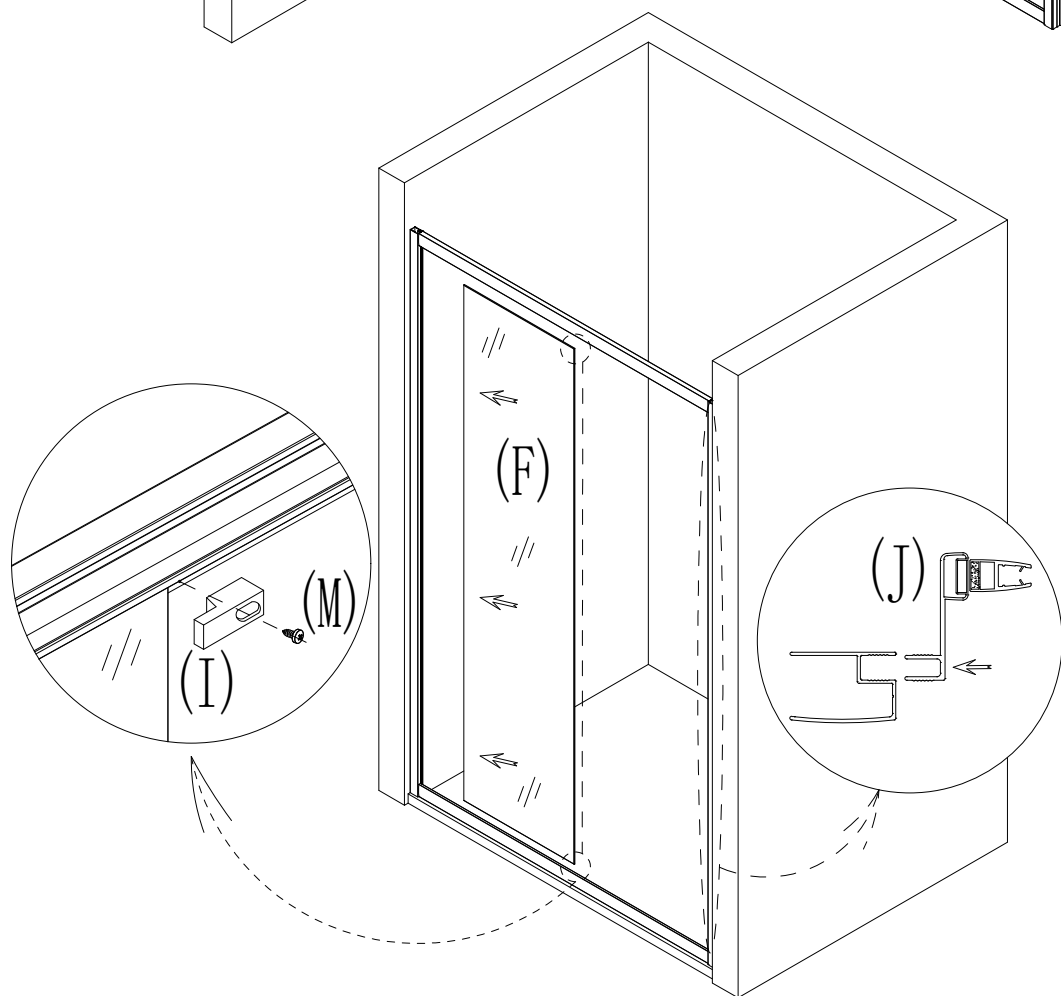
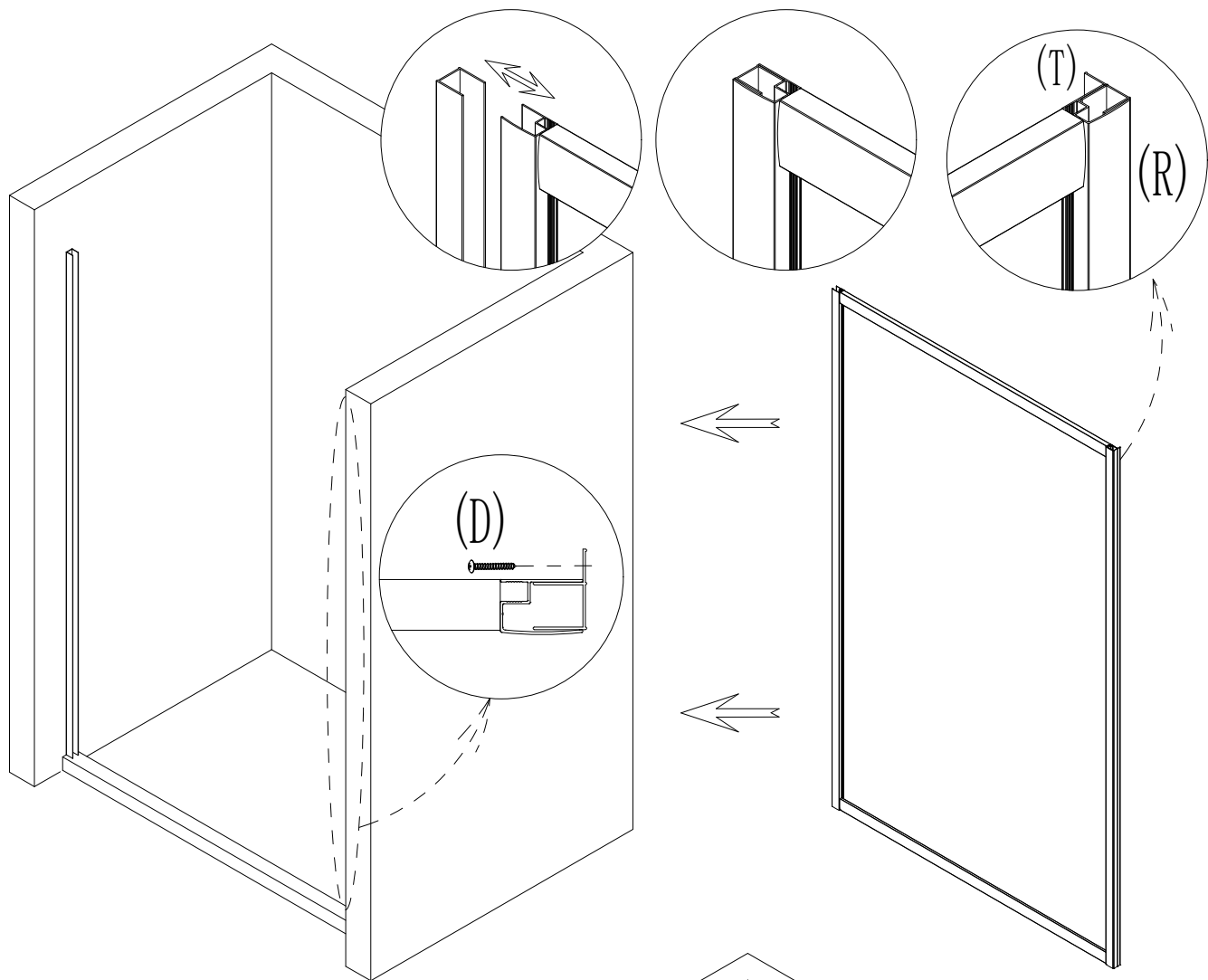
A		2	J		1	S		2
B	 ST4X16	8	K	 ST4X10	2	T		1
C		8	L		2	U	 ST4X6	4
D	 ST4X30	8	M	 ST4X10	2	V		1
E		1	N		1	W	 ST4X10	4
F		1	O		1			
G		4	P		1			
H		2	Q		1			
I		2	R		2			

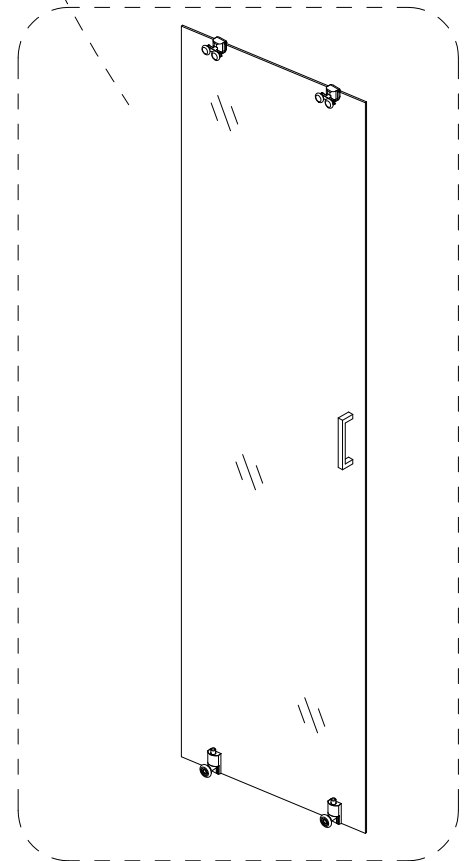
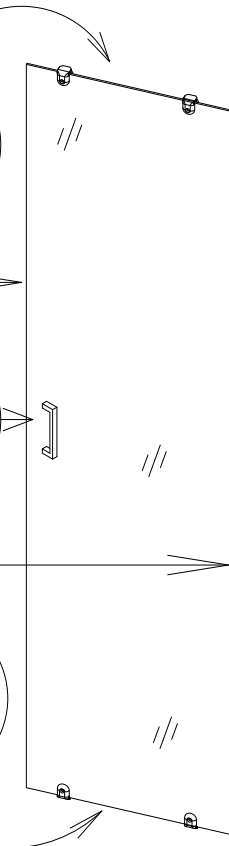
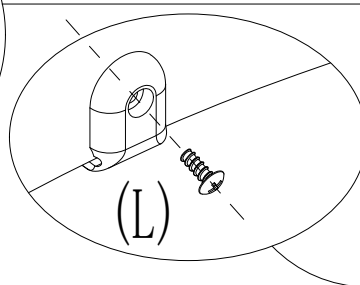
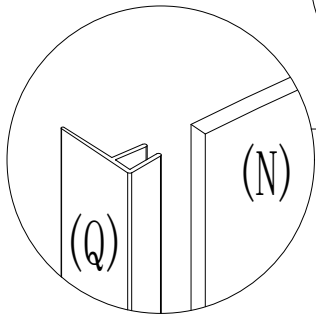
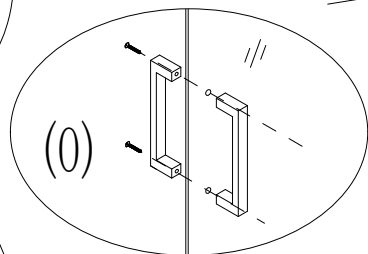
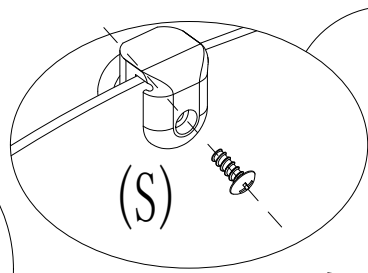
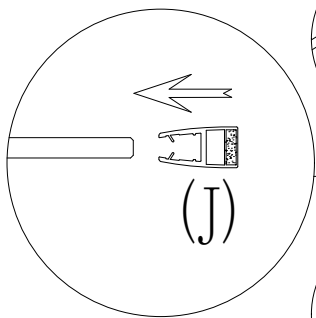
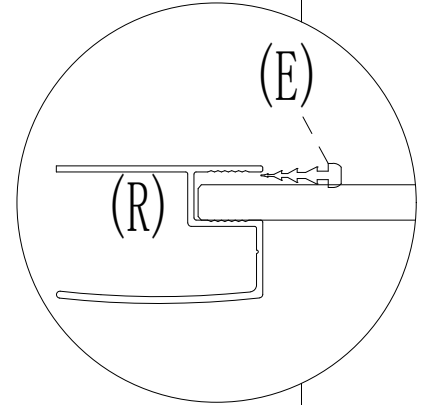
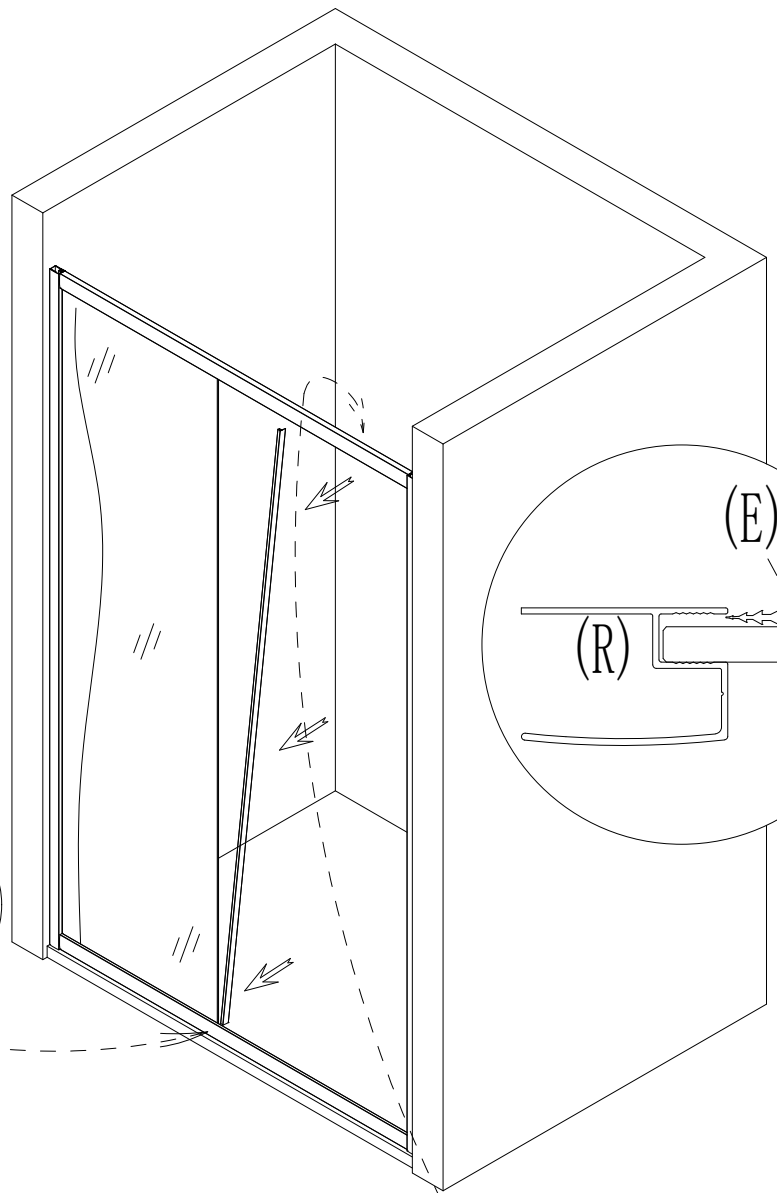
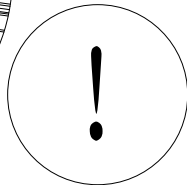
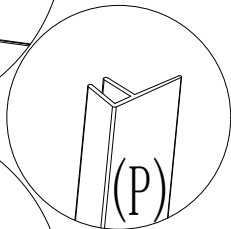
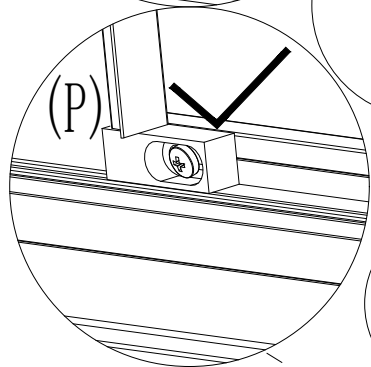
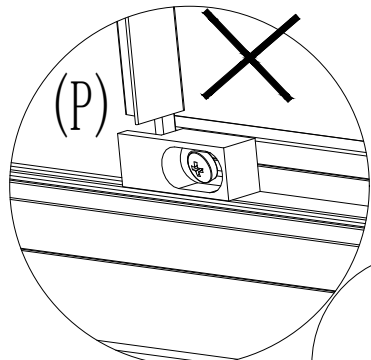


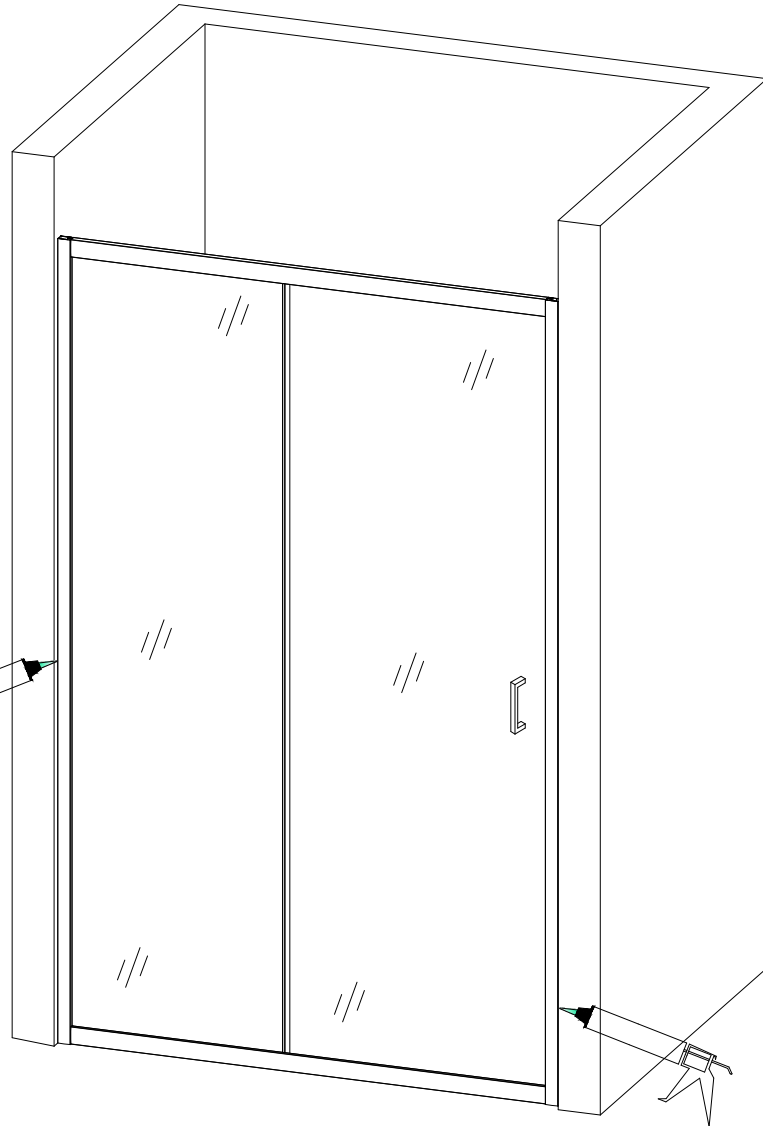
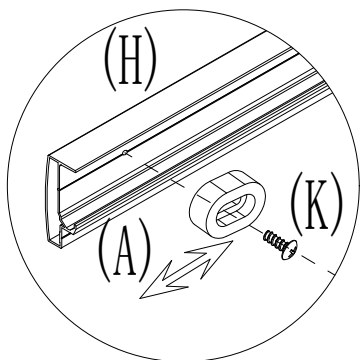
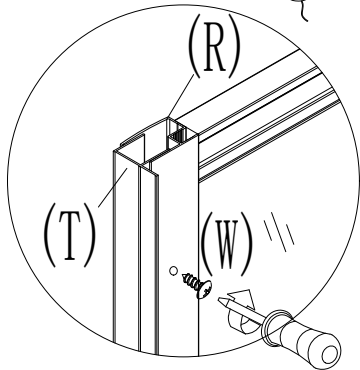
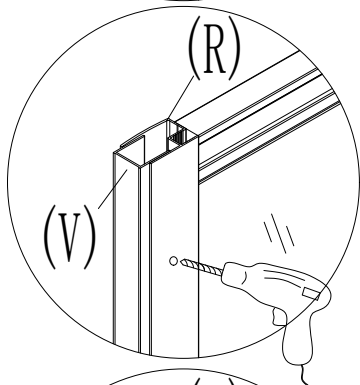
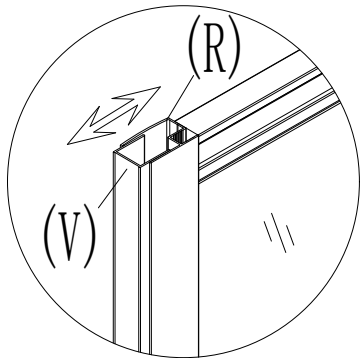
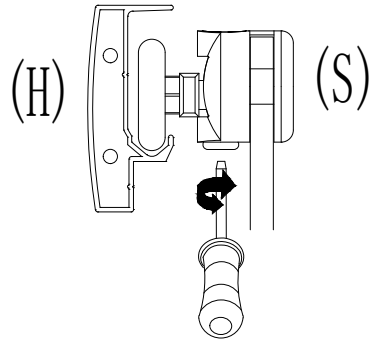
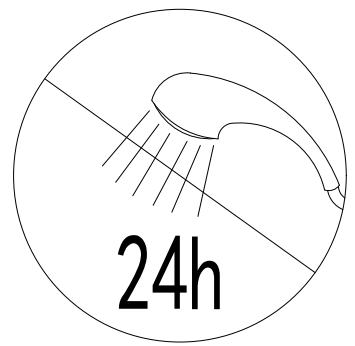
Ø6, Ø2.8

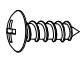












B-1	 ST4X10	3
-----	--------------------------------------------------------------------------------------------	---

B-2		3
-----	----------------------------------------------------------------------------------	---

B-3		1
-----	------------------------------------------------------------------------------------	---

