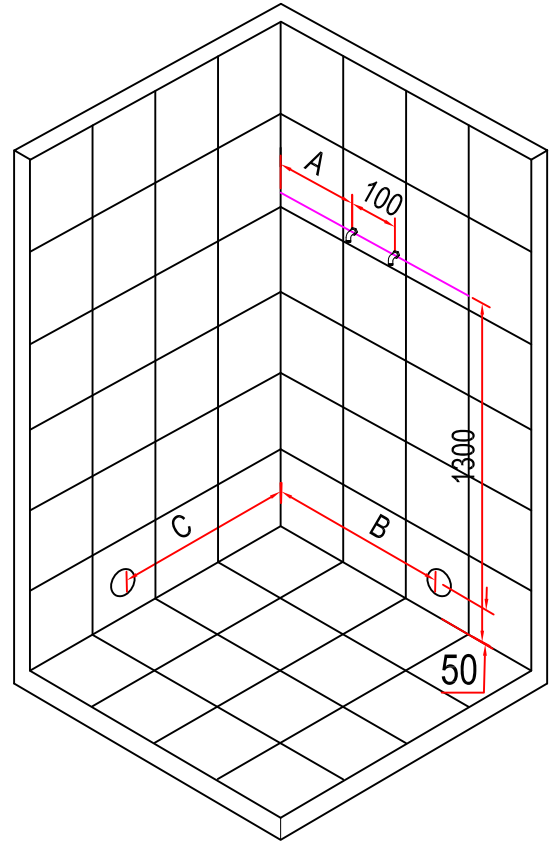
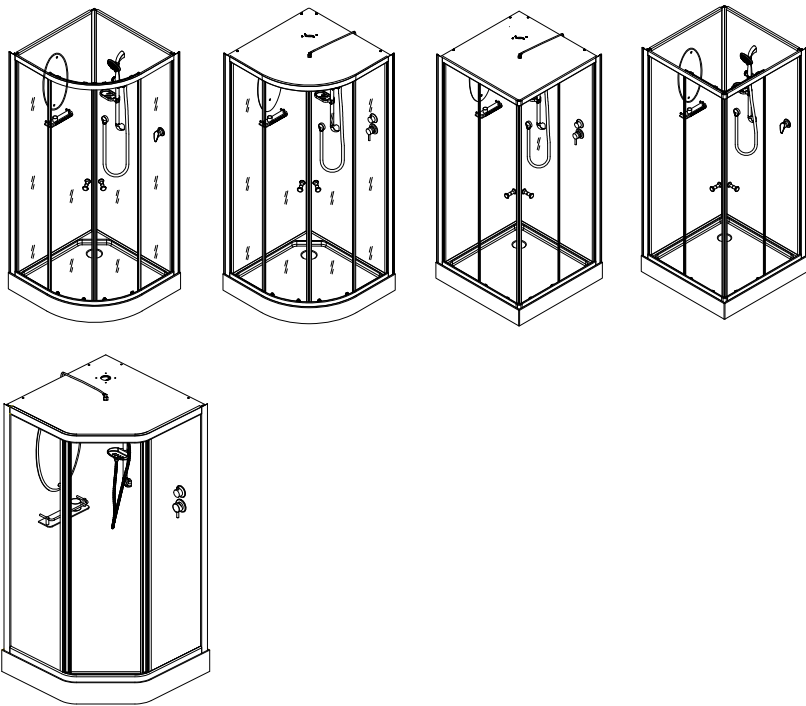
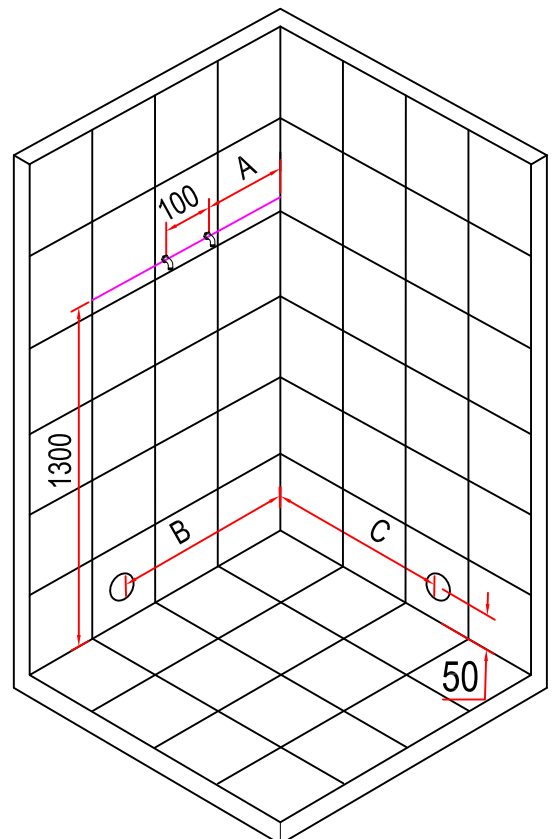
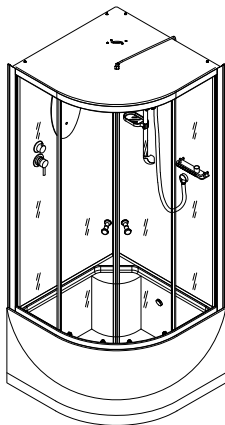


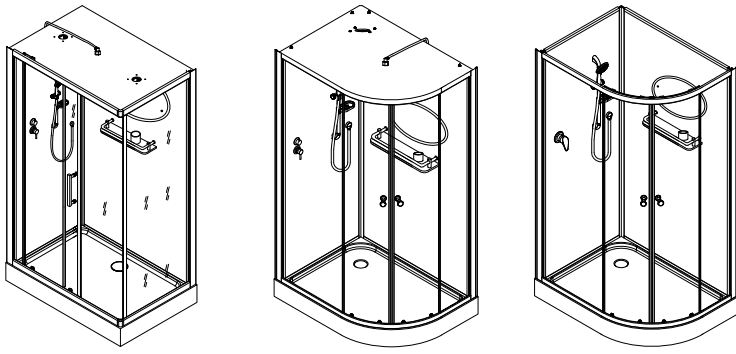
# ES seires



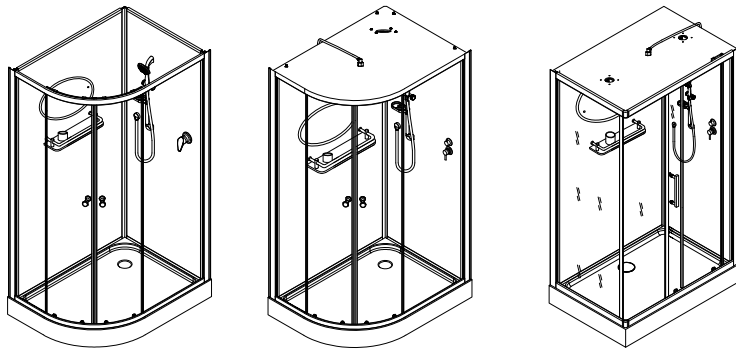
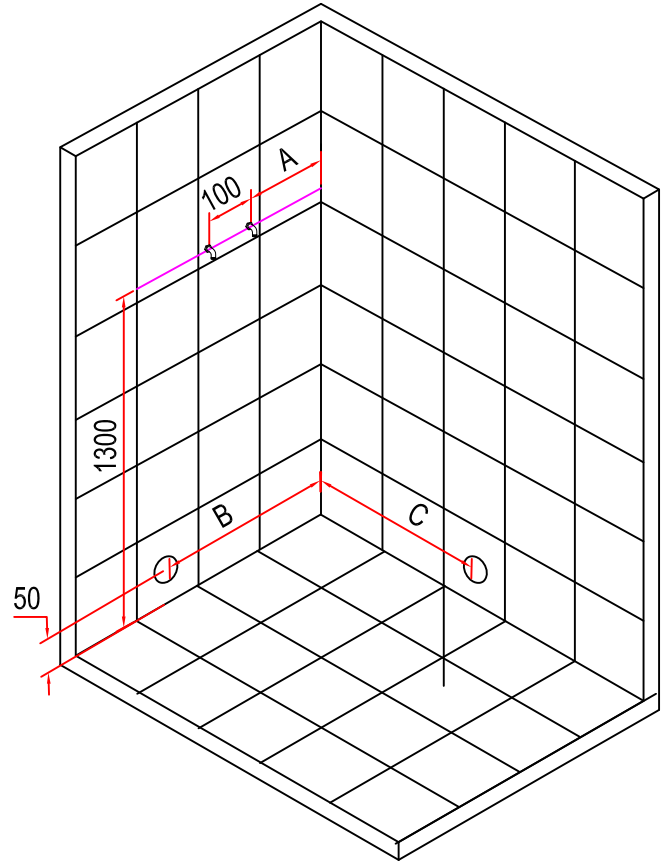
	A	B	C
ES-80 (C/CR/CK/CKR)	350	500	500
ES-90 (C/CR/CK/CKR/PR)	350	600	600
ES-100 (C/CR/CK/CKR/PR)	350	700	700
ES-110 (C/CR/CK/CKR/PR)	350	800	800



	A	B	C
ES-80CRB	350	500	500
ES-90CRB	350	600	600
ES-100CRB	350	700	700
ES-110CRB	350	800	800



	A	B	C
ES-108CKR	350	500	700
ES-118CKR	350	550	800
ES-129CKR	350	600	900
ES-115C (L)	350	550	850
ES-115CR (L)	350	550	850



	A	B	C
ES-108CKR	350	500	700
ES-118CKR	350	550	800
ES-129CKR	350	600	900
ES-115C (R)	350	550	850
ES-115CR (R)	350	550	850

